

ATTENTION HIGH PERFORMANCE PADDLERS!

SKWOOSH™

COMFORT CONVENIENCE ♦ COMFORT PERFORMANCE The SKWOOSH™ X-TREME Kayak Seat Gel Cushion

An X-TREMELY lightweight, low profile, performance comfort seat cushion for the performance paddler - or for the recreational paddler who just wants a little something X-TRA between him and his boat. The SKWOOSH™ X-TREME kayak seat gel cushion uses medically proven pressure relieving technology to make paddling more comfortable - longer. Cradling your "sitz" bones in a SKWOOSH™ performance comfort cushion helps eliminate numbness in the legs and the rear. Paddle longer with SKWOOSH™!

Benefits

- **CUSHIONING** – TekPad® light weight pressure relieving gel
- **COMFORTABLE** – Relieving pressure helps you paddle longer
- **LOW PROFILE** – Maintains CG for better stability
- **INTEGRATED NON SKID BOTTOM** – Stays put - No glue or tape needed
- **MAINTENANCE FREE** – No washing - functions in all temperatures
- **LIGHT WEIGHT-WATERPROOF** – It floats* - never soggy - won't mold
- **DURABLE LOW FRICTION COVER MATERIAL** – No rubbing
- **PORTABLE** – Lightweight, compact with tie down loop
- **ALL WEATHER GEL** – Stays soft in all temperatures
- **MADE IN USA** – Guaranteed Performance - Guaranteed Workmanship



SKWOOSH™ X-Treme Cushion (#X3104)

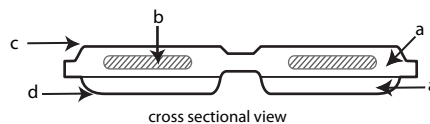
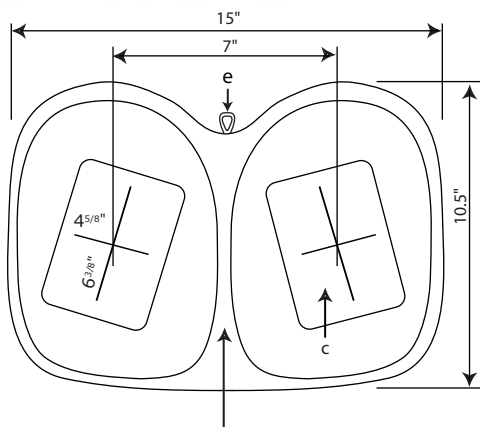
Description

Weight: 8 oz.

Dimensions: 10.5" x 7.5" x 1" (folded) / 10.5" x 15" x 0.5" flat
70 denier waterproof smooth nylon cover. Rugged integrated ToughTek® non skid bottom. Maintenance free.

Anatomy of A High Performance, Pressure Relieving SKWOOSH™ X-treme Cushion

- 2 layers of 1/4" cross-linked foam
- TekPad® bladder
- 70 denier nylon
- ToughTek® High Performance non skid material
- Nylon cord tie down loop



welded center seal for easy folding

Contact Us!

Ph: 978.689.0500 ♦ Fax: 978.689.7771

email: skwoosh@skwoosh.com or visit: www.skwoosh.com

Performance Comfort Cushions
sports / office / travel



SKWOOSH IS DIFFERENT

Patented TekPad Technology
packs giant Comfort into a
convenient package

*NOT TO BE USED FOR FLOATATION