

SERIOUS ROWERS!

SKWOOSH™

SKWOOSH™ MASTER AGP ROW PAD

The SKWOOSH™ Master AGP Row Pad is an advanced pressure-relieving gel row pad that is designed specifically for serious rowers. AGP Technology enables the TekPad® Gel Packs to be welded directly under the ischial tuberosity, aka "sitz" bones located at the lowest part of the pelvis, which bears the weight of the body when sitting. Using a Master AGP Row Pad helps maintain circulation and prevent numbness and discomfort in the legs and lower back, regardless of the amount of time spent rowing. This lightweight, low profile cushion fits a standard row seat and is waterproof.

- CUSHIONING** - TekPad lightweight pressure relieving gel
- COMFORTABLE** - Relieving pressure helps you row longer
- LOW PROFILE** - Maintains torso distance and CG
- INTEGRATED NON-SKID BOTTOM** - No glue or tape needed
- MAINTENANCE FREE** - Functions in all temperatures

- LIGHTWEIGHT - WATERPROOF** - It floats*
- FITS STANDARD ROW SEAT** - Exactly
- DURABLE LOW SLIP COVER MATERIAL**
- MADE IN USA** - Guaranteed Performance
Guaranteed Workmanship

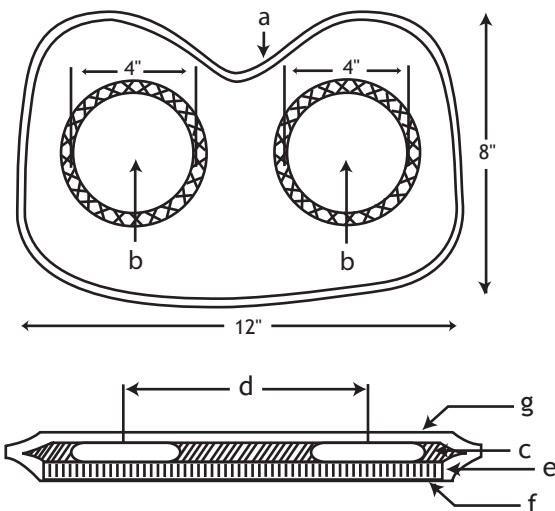
SKWOOSH™ MasterAGP Row Pad (Model# M3204)

Weight: 7 oz.

Dimensions: 12" x 8" x 1/2"

Color: Black

Rugged Non-Skid Bottom - Maintenance Free



Anatomy of a SKWOOSH™ Master AGP Row Pad

- a.** Welded waterproof seam - no stitching
- b.** TekPad® lightweight, pressure relieving AGP gel packs
- c.** Cross-linked foam with wells
- d.** Distance between human "sitz" bones
- e.** Cross-linked foam for shape
- f.** High performance non-skid bottom
- g.** Waterproof, high friction top fabric

Performance Comfort Cushions
sports / office / travel



SKWOOSH IS DIFFERENT

Patented TekPad Technology
packs giant Comfort into a
convenient package

Contact Us!

Ph: 978.689.0500 ♦ Fax: 978.689.7771

email: info@skwoosh.com or visit: www.skwoosh.com

*NOT TO BE USED FOR FLOTATION