

ATTENTION KAYAKERS!

SKWOOSH™

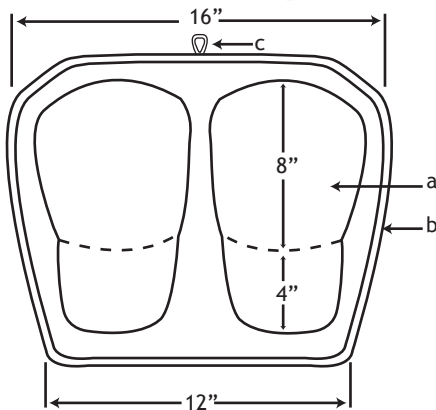
COMFORT CONVENIENCE ♦ PERFORMANCE COMFORT

The SKWOOSH™ Paddling Cushion

An extremely lightweight, low profile performance comfort cushion for the long distance and recreational kayaker and sea kayaker. The SKWOOSH™ Paddling Cushion uses medically proven pressure relieving technology to make paddling more comfortable. Cradling your "sitz" bones in a SKWOOSH™ Cushion helps eliminate numbness in the rear and the legs. Paddle longer with SKWOOSH™!

BENEFITS

- **CUSHIONING** — TekPad® lightweight pressure relieving gel
- **COMFORTABLE** — Relieving pressure helps you paddle longer
- **LOW PROFILE** — Maintains CG for better stability
- **INTEGRATED NON SKID BOTTOM** — Stays put - No glue or tape needed
- **MAINTENANCE FREE** — No washing - functions in all temperatures
- **LIGHTWEIGHT - WATERPROOF** — It floats* - never soggy - won't mold
- **DURABLE LOW FRICTION COVER MATERIAL** — NO rubbing
- **PORTABLE** — Lightweight, compact with tie down loop
- **ALL WEATHER GEL** — Stays soft in all temperatures
- **MADE IN USA** — Guaranteed Performance - Guaranteed Workmanship



SKWOOSH™ Paddling Cushion (#P1104)

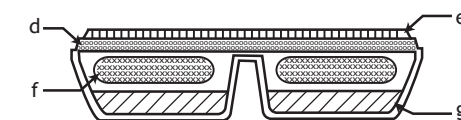
Description

Weight: 13 oz.

Dimensions: 13" x 16" x 7/8" flat, 13" x 8" x 1 3/4" folded
70d low friction cover. Integrated non-skid bottom.
Folds for storage. Maintenance free.

Anatomy of A High Performance, Pressure Relieving SKWOOSH™ Paddling Cushion

- TekPad® bladder welded in two sections
- 3/4" nylon ribbon binding
- Nylon cord tie down loop
- ToughTek® non skid bottom
- 70 denier waterproof nylon cover
- 3/4" TekPad® bladder
- 1/4" cross linked foam



cross sectional view

Performance Comfort Cushions
sports / office / travel



SKWOOSH IS DIFFERENT

Patented TekPad Technology
packs giant Comfort into a
convenient package

*NOT TO BE USED FOR FLOATATION

Contact Us!

Ph: 978.689.0500 ♦ Fax: 978.689.7771

email: info@skwoosh.com or visit: www.skwoosh.com

GEL COMFORT ♦ AIR-FLO^{3D}™ COMFORT ♦ PERFORMANCE COMFORT

SKWOOSH™

SKWOOSH™ Classic Kayak Paddling Gel Cushion with AIR-FLO^{3D}™ BREATHABLE FABRIC

This "AIR-COOLED", lightweight, low profile, performance comfort cushion is engineered for the long distance and recreational kayaker. It provides pressure relief for paddling comfort and cool comfort with AIR-FLO^{3D}™ breathable fabric. The low profile SKWOOSH™ fits all seats and maintains a low center of gravity for greater stability. SKWOOSH™ gel relieves pressure on your "sitz" bones so you can paddle for hours without discomfort and with no loss of circulation.

Paddle longer in "COOL" comfort with SKWOOSH™ AIR-FLO^{3D}™

BENEFITS & FEATURES

AIR-FLO^{3D}™ - The exclusive three dimensional fabric that breathes

CUSHIONING - TekPad lightweight pressure relieving gel

COMFORTABLE - Relieving pressure helps you PADDLE longer in comfort

LOW PROFILE - Maintains CG for better stability

INTEGRATED NON-SKID BOTTOM - Stays put - No glue or tape - Tie down loop

DURABLE - All welded construction

FITS ALL SEAT STYLES & PORTABLE - Lightweight and compact

MAINTENANCE FREE - Never soggy - won't mold - washable

ALL WEATHER GEL - Stays soft - provides comfort in all temperatures

MADE IN USA - Guaranteed Performance - Guaranteed Workmanship

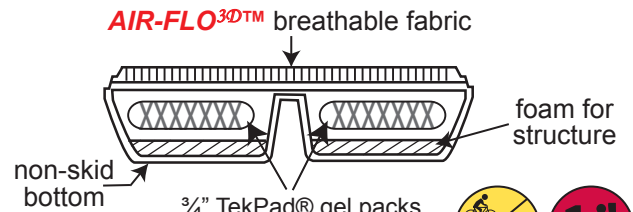
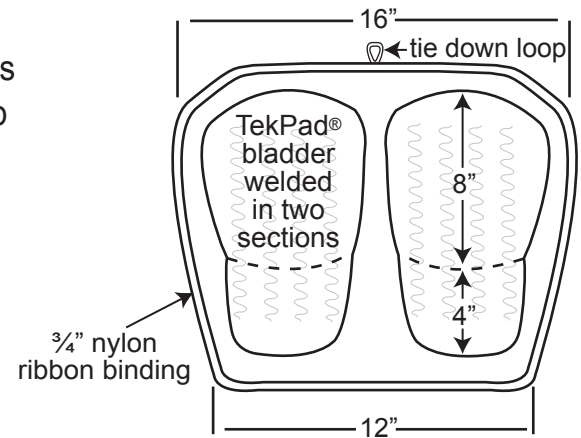
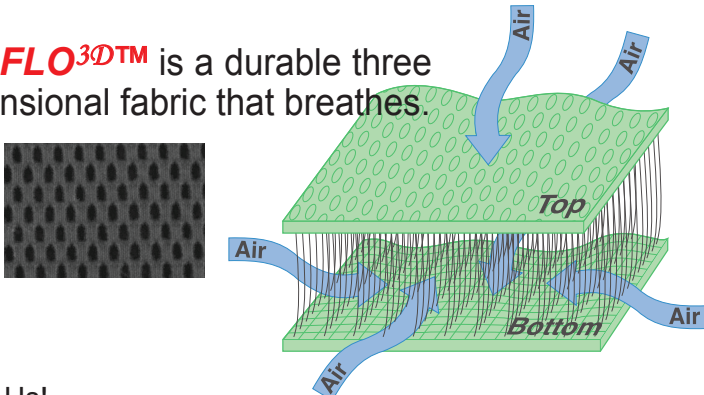
SKWOOSH™ Paddling Cushion with AIR-FLO^{3D}™

Model#: PAF1104

Weight: 13 oz.

Dimensions: 13" x 16" x 7/8" flat; 13" x 8" x 2" folded

AIR-FLO^{3D}™ is a durable three dimensional fabric that breathes.



Cross Section View



SKWOOSH™ IS DIFFERENT

Contact Us!
Ph: 978.689.0500 Fax: 978.689.7771
email: info@skwoosh.com or visit: www.skwoosh.com

NOT TO BE USED FOR FLOTATION