

ATTENTION ALL ANGLERS AND YAK FISHERMEN!

SKWOOSH™

COMFORT CONVENIENCE ♦ COMFORT PERFORMANCE

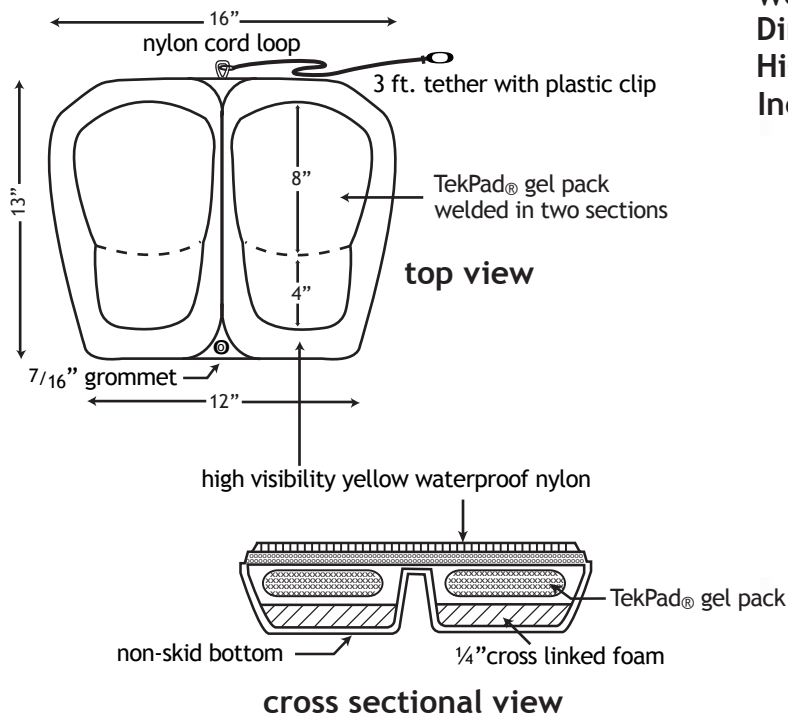
ANGLER II Gel Fishing Seat

Find your spot, anchor or drift, The SKWOOSH™ ANGLER II Gel Fishing Seat keeps you comfortable for hours. The lightweight ANGLER II uses patented TekPad® technology to reduce numbness in your legs and rear, so you can fish all day. Loaded with features, Angler II has a high visibility color to attract attention on the water. It secures to your boat with a 3 ft. tether (included) and has a built-in grommet for easy gear attachment. Fish longer in comfort with SKWOOSH™ ANGLER II.

BENEFITS

- **CUSHIONING** - TekPad® lightweight pressure relieving gel
- **COMFORTABLE** - Relieving pressure lets you FISH longer
- **LOW PROFILE** - Maintains CG for better stability
- **MAINTENANCE FREE** - No washing - functions in all temperatures
- **PORTABLE** - Lightweight, compact with grommet for easy gear attaching
- **WATERPROOF** - It floats* - never soggy - won't mold
- **NON SKID BOTTOM** - Stays put - No glue or tape needed
- **DURABLE - LOW FRICTION COVER MATERIAL** - NO rubbing - more comfort
- **HIGH VISIBILITY YELLOW**** - Easy to spot on the water
- **MADE IN USA** - Guaranteed Performance - Guaranteed Workmanship

Anatomy of the SKWOOSH™ ANGLER II



SKWOOSH™ ANGLER II (#A3104)

Weight: 13 oz. (so light - it floats*)

Dimensions: 13" x 16" x 7/8" flat

High Visibility: Yellow with Black non-skid bottom

Includes: 3 ft. tether and 7/16" grommet



Performance Comfort Cushions
sports / office / travel



SKWOOSH IS DIFFERENT

Contact Us!

Ph: 978.689.0500 Fax: 978.689.7771

email: info@skwoosh.com or visit: www.skwoosh.com

* NOT TO BE USED FOR FLOTATION

** COLOR MAY FADE WITH PROLONGED EXPOSURE TO UV RAYS
COVERED BY ONE OR MORE US PATENTS

Patented TekPad Technology
packs giant Comfort into a
convenient package